

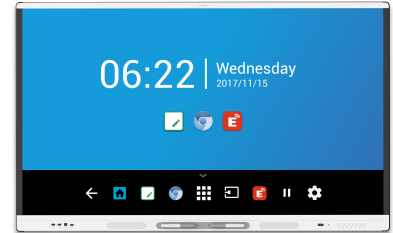
## Specifications

# SMART Board® MX175 interactive flat panel

Model SBID-MX175

## Overview

Digital whiteboard. Web browser. Screen sharing. Our newest SMART Board® MX100 series has all the essentials educators need for bringing the devices students love into any learning environment. The SMART Board MX100 series is a great value for schools that need an interactive display on a budget. Available in 65", 75" and 86" sizes—all in 4K Ultra HD resolution—with SMART Learning Suite included, and a standard three-year warranty.

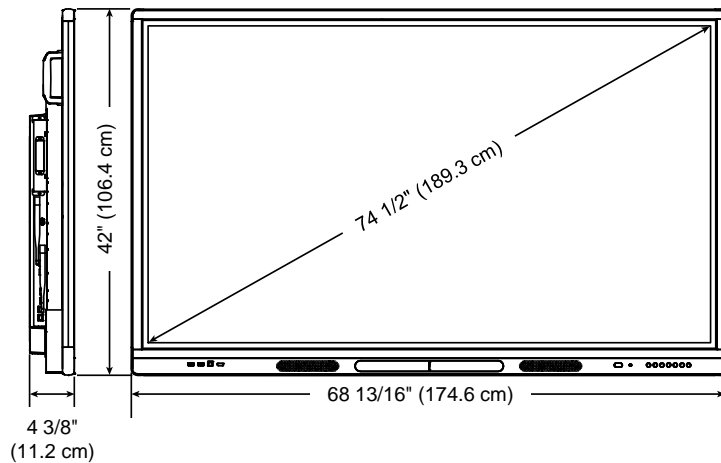


The display includes a subscription for SMART Learning Suite applications, including SMART Notebook® lessons, SMART lab™ activities and SMART amp® software workspaces.

The built-in e<sup>3</sup> experience puts everything you need in one place, available at the touch of a finger. There's a browser, a digital whiteboard and wireless screen sharing for iOS and Android™ mobile devices and a wide variety of computers

## Dimensions and weights<sup>1</sup>

### Dimensions



### Weight

133 lb. (60 kg)

### Active touch area

66 1/2" × 38" (168.8 cm × 96.6 cm)

### Active image area

65" × 36 1/2" × (165 cm × 92.8 cm)

### Shipping dimensions (including pallet)

75" W × 50 1/4" H × 11 5/8" D  
(190.5 cm × 29.5 cm × 127.7 cm)

### Shipping weight

192 lb. (87 kg)

<sup>1</sup>All dimensions ± 1/8" (0.3 cm). All weights ± 2 lb. (0.9 kg).

## Hardware

### Interaction

Touch technology	IR
Multitouch capabilities	Up to 10 simultaneous touch, writing or erase points <sup>2</sup>
Object awareness	Behavior adjusts automatically to the tool or object you're using, whether it's a pen, finger or palm.

### Display

Type	LED backlit LCD (A+ grade)
Aspect ratio	16:9
Resolution	4K UHD
Positioning accuracy	<2 mm
Horizontal frequency (minimum)	31 Hz
Horizontal frequency (maximum)	140 kHz
Vertical frequency (minimum)	59 Hz
Vertical frequency (maximum)	70 Hz
Contrast ratio (typical)	1600:1
Brightness (maximum)	≥350 cd/m <sup>2</sup>
Refresh frequency	60 Hz
Pixel clock (maximum)	600 MHz
Pixel dimensions	0.43 mm
Viewing angle	178°
Response time (typical)	8 ms
Ambient light sensor	Yes
<b>Audio</b>	10 W integrated speakers (×2)

<sup>2</sup>Requires SMART Product Drivers to be installed. Some applications might not support all touch points.

<b>Included cables and accessories</b>	Country-specific power cable 16' 5" (5 m) USB cable Wall mount bracket kit Pen (×2) Antennas (×2) IR remote control
<b>Mounting holes</b>	For a standard VESA® 600 mm × 400 mm mounting plate with M8 screws
	<b>NOTE</b> A wall mount is included with the display.
<b>Mounting bracket depth</b>	Minimum clearance depth of 1 1/4" (3 cm) for all components on the back of the interactive display for airflow

## Connectors

<b>Back</b>	Connector panel: HDMI® in (with HDCP 2.2 support) (×2) VGA in RJ45 (×2) USB Type-B (for touch applications) (×1) USB 2.0 Type-A (×2) HDMI 1.4 out (HDCP-compliant) <sup>34</sup> S/PDIF out Stereo 3.5 mm out Stereo 3.5 mm in (for VGA in) OPS slot RS-232 control
<b>Front</b>	HDMI in (with HDCP 1.4 support) USB Type-B (for touch applications) USB Type-A (×2)

## Applications

<b>Interactive display</b>	Whiteboard Web browser EShare wireless screen share One-year subscription to SMART Learning Suite
----------------------------	------------------------------------------------------------------------------------------------------------

<sup>3</sup>HDCP is always enabled. Content is shown in 480p resolution if the external display doesn't support HDCP.

<sup>4</sup>HDMI out is an optional feature. Contact your authorized SMART reseller ([smarttech.com/where](http://smarttech.com/where)) for further ordering instructions.

**SMART BOARD MX175 INTERACTIVE FLAT PANEL**

<b>Supported languages for e<sup>3</sup> experience</b>	Danish
	Dutch
	English
	Finnish
	French
	German
	Italian
	Norwegian
	Russian
	Simplified Chinese
	Spanish
Swedish	

## Installation requirements

<b>Interactive display</b>	See the <i>SMART Board MX100 series interactive displays installation and maintenance guide</i> ( <a href="http://smarttech.com/kb/171288">smarttech.com/kb/171288</a> )
----------------------------	--------------------------------------------------------------------------------------------------------------------------------------------------------------------------

---

### Room computers and guest laptops

General requirements	See the <a href="#">SMART Notebook software release notes</a>
4K UHD	Graphics card that supports 3840 × 2160 resolution at 30 Hz and that has 1 GB DDR 5 memory See <a href="#">Minimum requirements for Ultra High Definition or 4K on your interactive flat panel</a>

---

### Mini-computers

General requirements	See the <a href="#">SMART Notebook software release notes</a>
----------------------	---------------------------------------------------------------

## Cable requirements

<b>HDMI</b>	Maximum length: 23' (7 m)
-------------	---------------------------

---

### NOTES

- Use only certified HDMI cables that have been tested to support the performance standard you require
  - The performance of cables longer than 23' (7 m) is highly dependent on the cable's quality
- 

<b>USB</b>	Maximum length: 16' (5 m)
------------	---------------------------

---

<b>Important</b>	Using cables that are longer than these maximum lengths can produce unexpected results, such as degraded picture quality or USB connectivity. Refer to <i>SMART installation standards</i> ( <a href="http://smarttech.com/kb/171035">smarttech.com/kb/171035</a> ) for comprehensive information about cables and extensions for SMART hardware products.
------------------	------------------------------------------------------------------------------------------------------------------------------------------------------------------------------------------------------------------------------------------------------------------------------------------------------------------------------------------------------------

## Storage and operating requirements

<b>Power requirements</b>	100V to 240V AC, 50 Hz to 60 Hz
---------------------------	---------------------------------

---

**Standalone interactive display power consumption at 77°F (25°C)**

Standby mode	≤0.3 W
Normal operating (out-of-box)	209 W
<b>Operating temperature</b>	41–95°F (5–35°C)
<b>Storage temperature</b>	-4–140°F (-20–60°C)
<b>Humidity</b>	5–80% relative humidity, non-condensing

## Certification and compliance

**Regulatory certification (Model ID: IDX75-1)** UL (U.S./Canada), FCC, IC, CE, EAC, RCM, NRCS, SABS, CITC, TRA, CCC

**Environmental compliance**

European Union	REACH, RoHS, Battery, WEEE and Packaging
U.S.	CONEG Packaging, California Proposition 65 and Conflict Minerals

## Purchasing information

**Order number**

SBID-MX175	SMART Board MX175 interactive display
------------	---------------------------------------

**Optional accessories**

Other	See <a href="http://smarttech.com/accessories">smarttech.com/accessories</a>
-------	------------------------------------------------------------------------------

**Warranty**

Three-year limited equipment warranty

**Extended warranty**

EWY1-SBID-MX175	SBID-MX175 interactive display one-year warranty extension
EWY2-SBID-MX175	SBID-MX175 interactive display two-year warranty extension
EWY1-SBID-MX086	SBID-MX086 interactive display one-year warranty extension
EWY2-SBID-MX086	SBID-MX086 interactive display two-year warranty extension

[smarttech.com/support](http://smarttech.com/support)  
[smarttech.com/contactsupport](http://smarttech.com/contactsupport)

© 2018 SMART Technologies ULC. All rights reserved. SMART Board, SMART Notebook, SMART lab, SMART amp, SMART response 2, DVIT, Pen ID, Object Awareness, smarttech, the SMART logo and all SMART taglines are trademarks or registered trademarks of SMART Technologies ULC in the U.S. and/or other countries. iPhone, iPad, iPod touch and Safari are trademarks of Apple Inc., registered in the U.S. and other countries. Google Play, Android and Chrome are trademarks of Google Inc. All other third-party product and company names may be trademarks of their respective owners. This product and/or use thereof is covered by one or more of the following U.S. patents: [www.smarttech.com/patents](http://www.smarttech.com/patents). Contents are subject to change without notice. 10/2018.